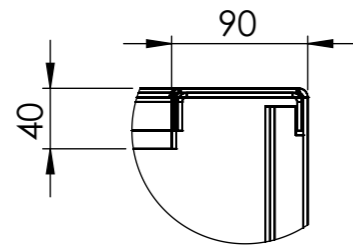
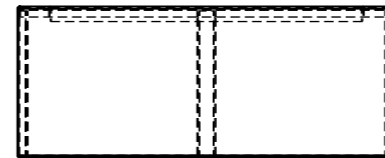
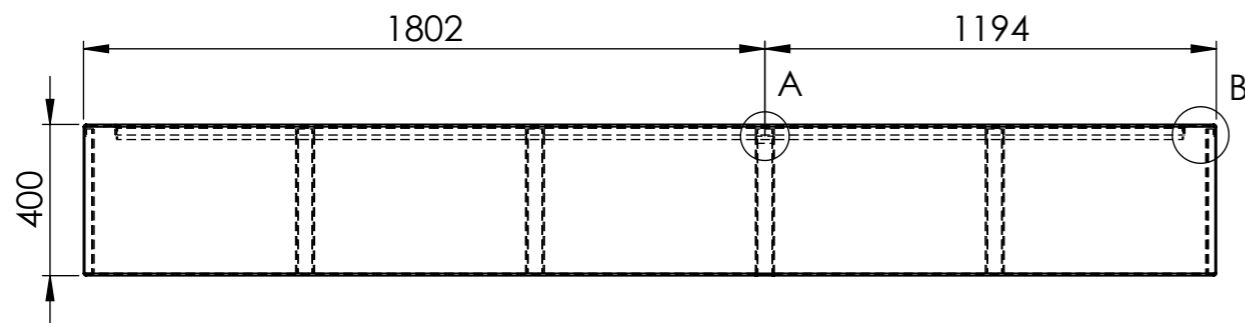
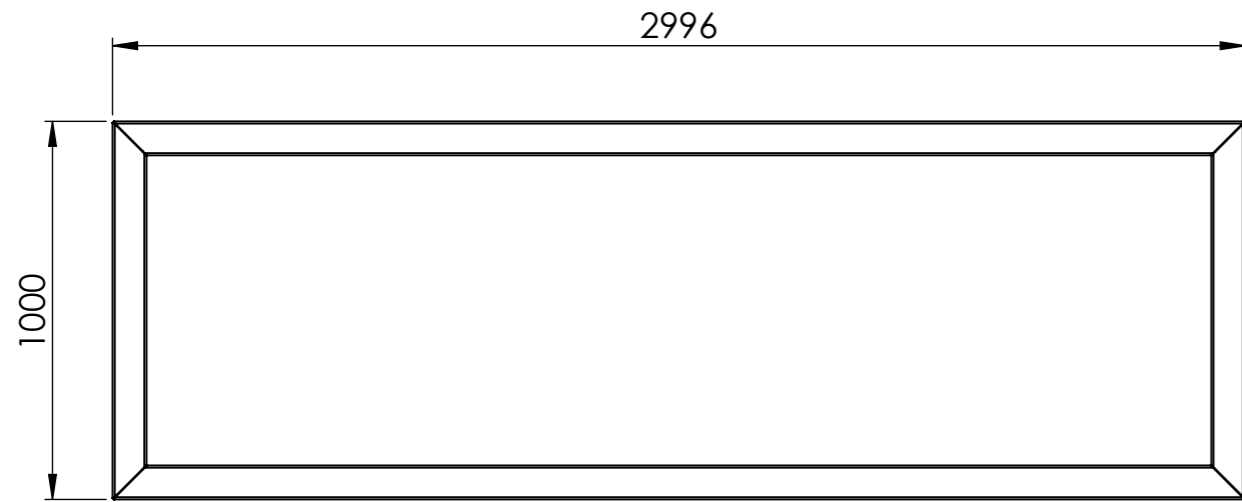
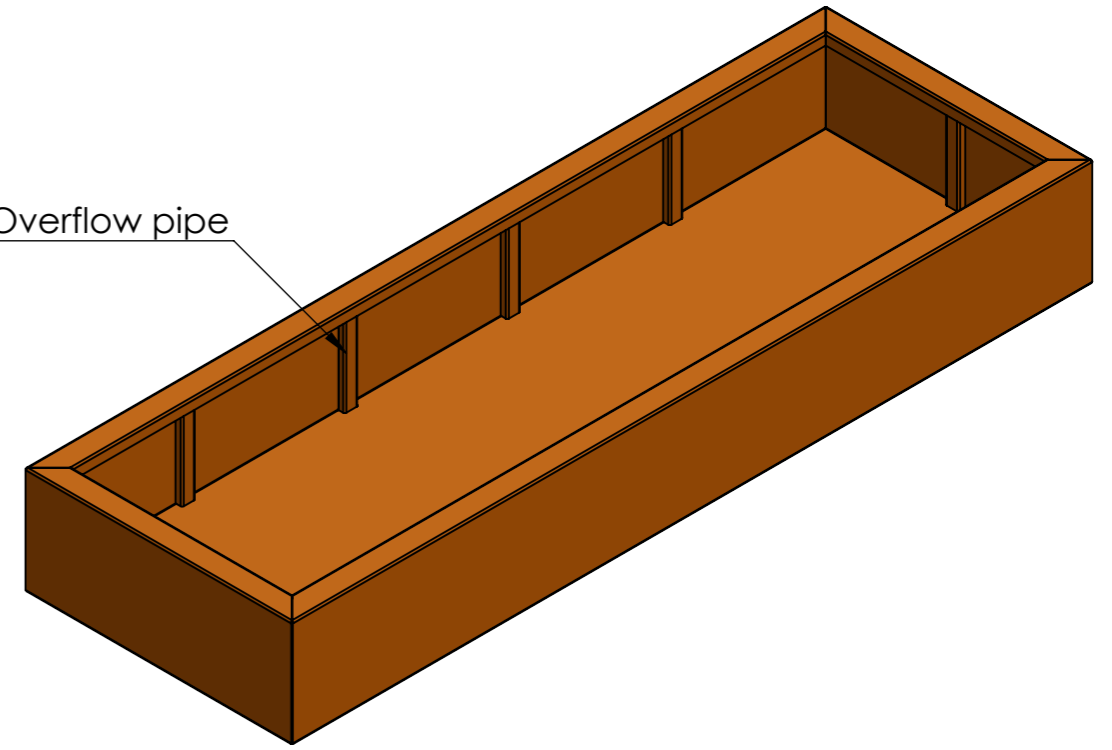


DETAIL A
SCALE 1 : 5



DETAIL B
SCALE 1 : 5

Overflow pipe



		DATE	
DRAWN	Luuk van den Heuvel	2-2-2020	
REVISION	Bas Vlamings	11-4-2024	

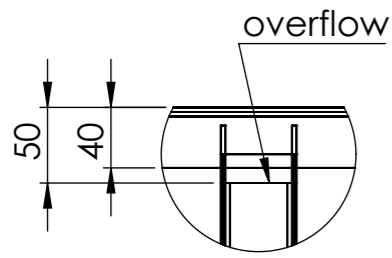
TITLE:	3mm Corten	
--------	------------	--

ADEZZ
DESIGN TO GROW

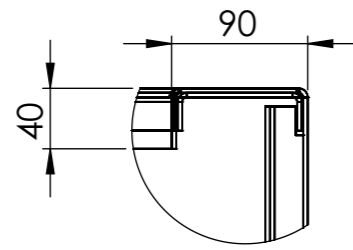
Liessentstraat 4, 5405 AG Uden (NL).
 † 0031 (0)413 - 27 41 68.
 e info@adezz.com, i www.adezz.com

Drawing:	VC6.1__	A3
----------	---------	----

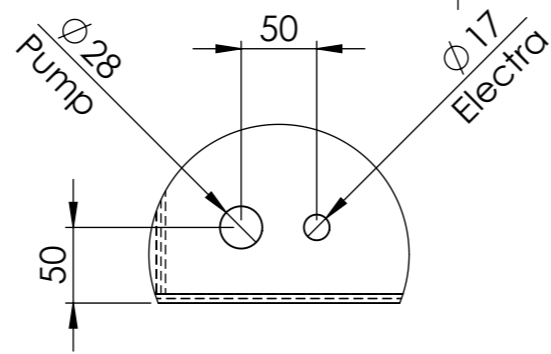
Color:	-	Mass (kg):	201,10	SCALE:1:20	SHEET 1 OF 13
--------	---	------------	---------------	------------	---------------



DETAIL A
SCALE 1 : 5



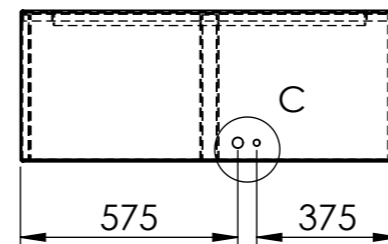
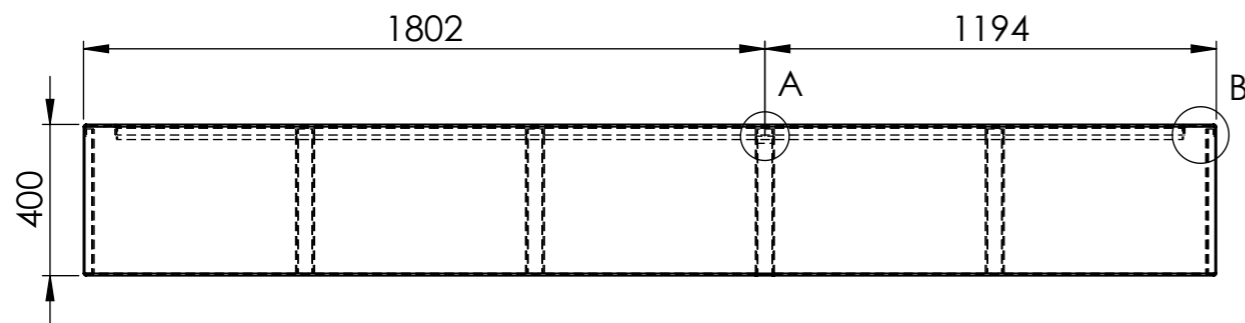
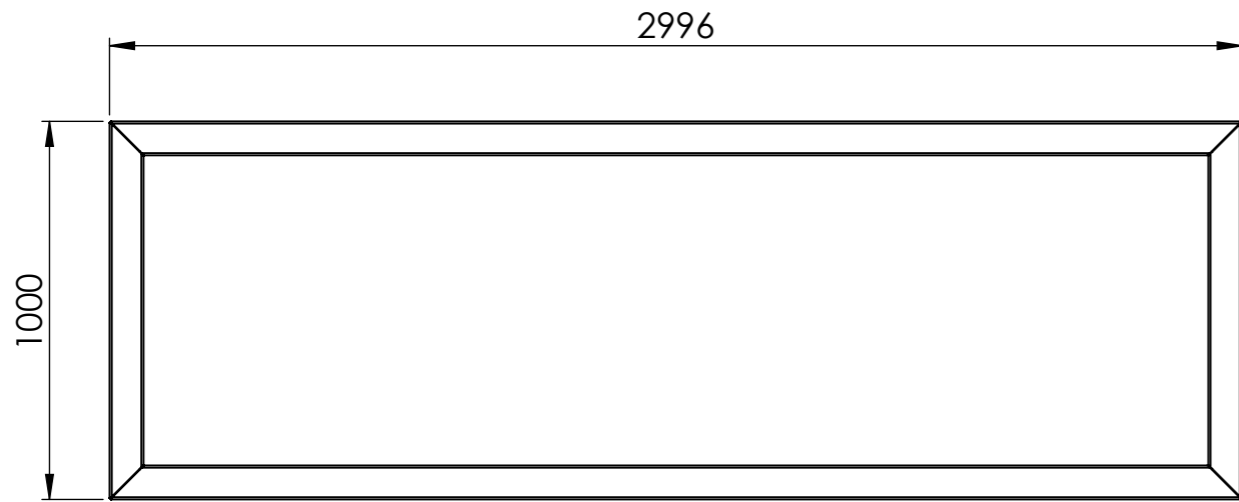
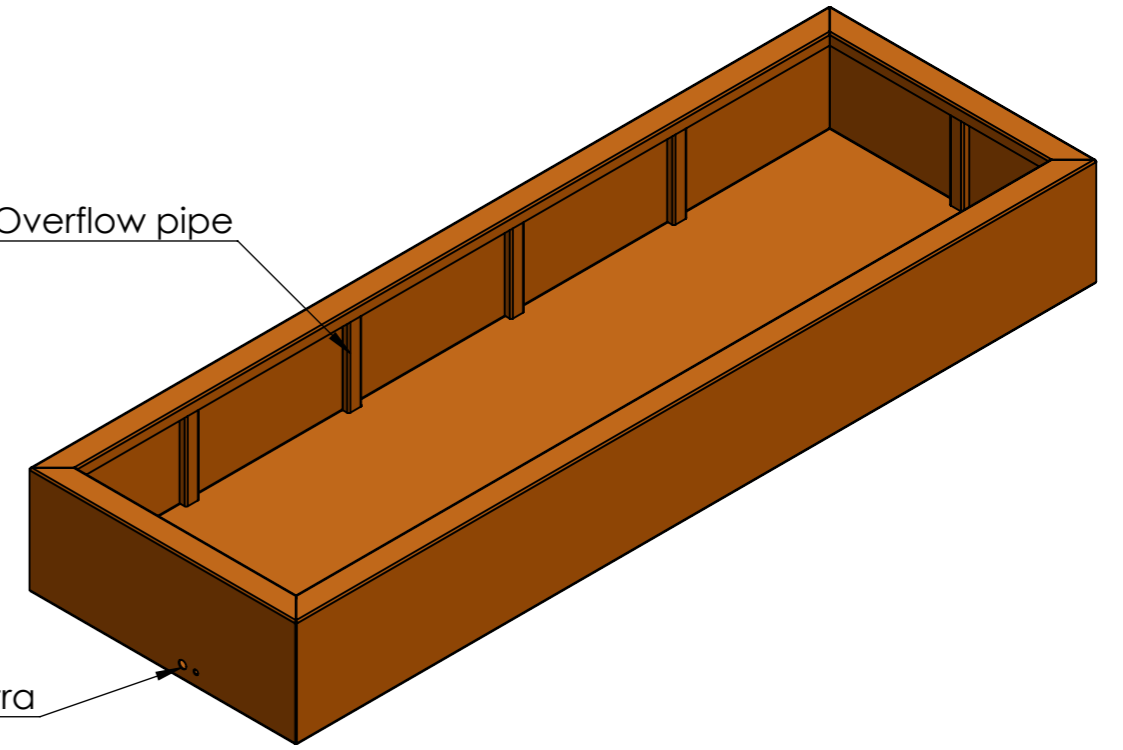
DETAIL B
SCALE 1 : 5



DETAIL C
SCALE 1 : 5

Overflow pipe

Pump and electra



		DATE		TITLE:
DRAWN	Luuk van den Heuvel	2-2-2020		
REVISION	Bas Vlamings	11-4-2024		

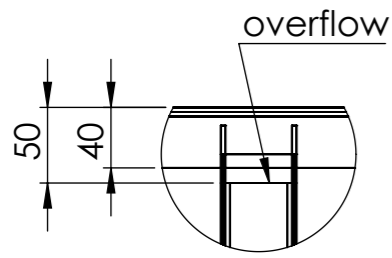
3mm Corten	
------------	--

ADEZZ
DESIGN TO GROW

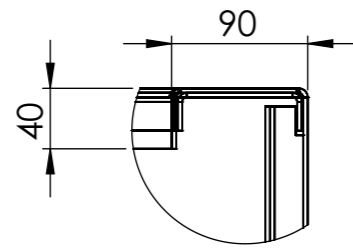
Liessentstraat 4, 5405 AG Uden (NL).
t 0031 (0)413 - 27 41 68.
e info@adezz.com, i www.adezz.com

Drawing:	VC6.1__	A3
----------	---------	----

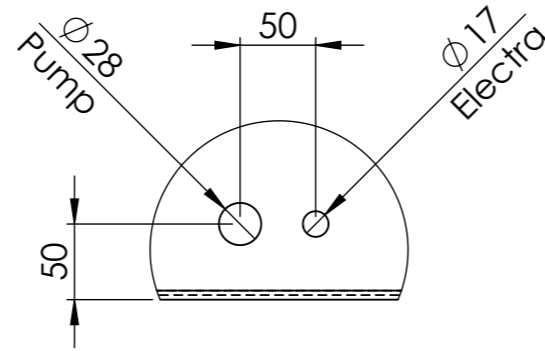
Color:	-	Mass (kg):	201.08	SCALE:1:20	SHEET 1 OF 13
--------	---	------------	---------------	------------	---------------



DETAIL A
SCALE 1 : 5



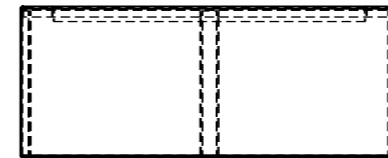
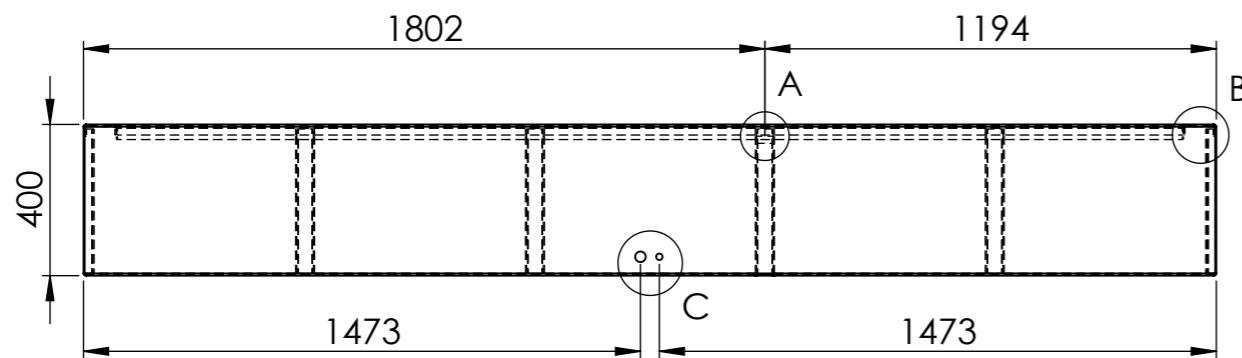
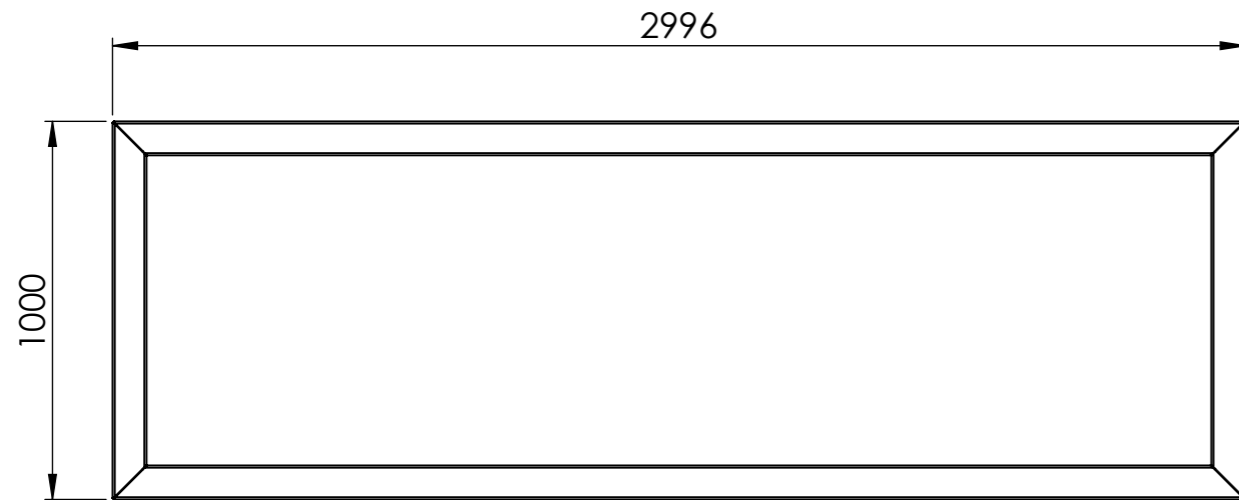
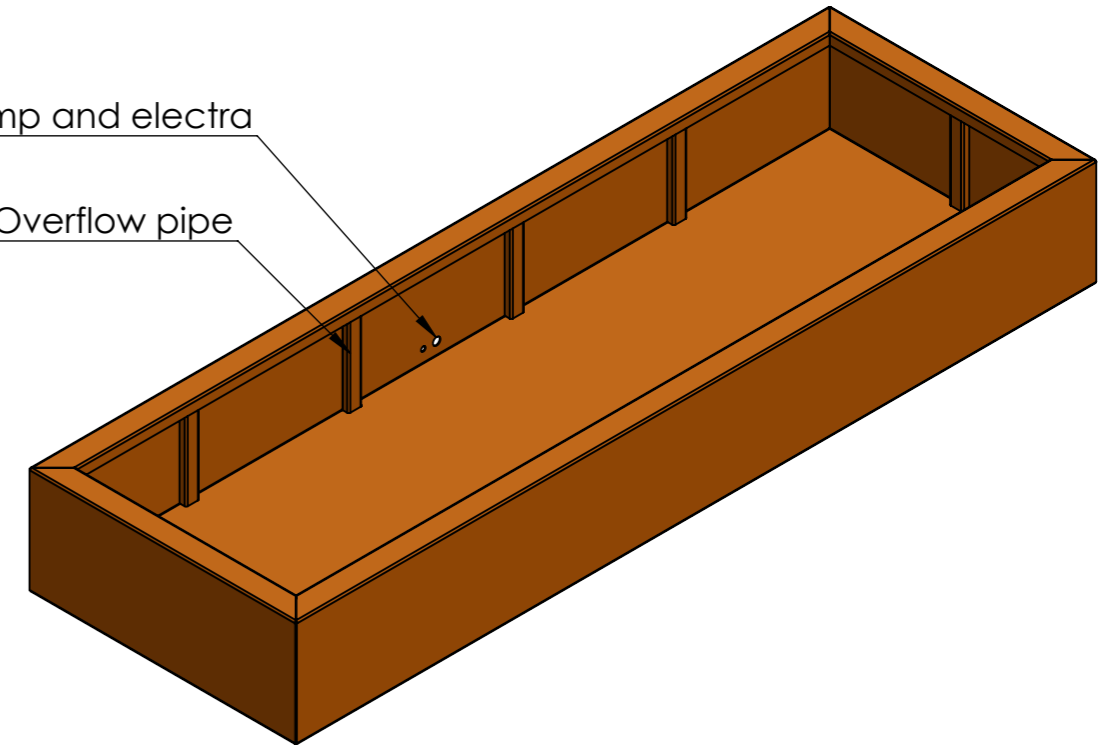
DETAIL B
SCALE 1 : 5



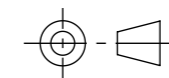
DETAIL C
SCALE 1 : 5

Pump and electra

Overflow pipe



DRAWN	Luuk van den Heuvel	DATE	2-2-2020
REVISION	Bas Vlamings	DATE	11-4-2024



TITLE:	3mm Corten	
--------	------------	--

ADEZZ
DESIGN TO GROW

Liessentstraat 4, 5405 AG Uden (NL).
t 0031 (0)413 - 27 41 68.
e info@adezz.com, i www.adezz.com

Drawing:	VC6.1__	A3
----------	---------	----

Color:	-	Mass (kg):	201,08	SCALE:1:20	SHEET 1 OF 13
--------	---	------------	---------------	------------	---------------